

# SNAPINSENSORMW

## Microwave Occupancy Sensor

### Product Description

The SNAPINSENSORMW Microwave Occupancy Sensor is highly adjustable and comes with an integrated daylight sensor for mounting applications up to 16 feet long. The sensor is designed to fit into the die-cut opening of the LED array lens assembly and is capable of controlling a 0-10V dimmable fixture. SNAPINMWREMOTE (sold separately) is used to configure the sensor's settings.

#### Construction

- All polymer, fully sealed body
- Snap in tabs for secure mounting
- IP20
- Microwave motion detection with built in daylight sensor

#### Electrical

- Input voltage: 12V DC
- Input current: 30mA
- Standby power: 36mW
- Compatible with LED 0-10V, dim to OFF driver
- Operating temperature: -30°F~131°F (-30° C~55°C)
- Highly configurable with SNAPINMWREMOTE: Detection Area, Time Delay, Daylight Threshold

#### Mounting and Installation

- Die-cut to snap-in. LED array lens component in the fixture features a 21.5 x 55mm opening
- The LSL1 Fixture includes a 3-wire plug-in connector, making this sensor easy to install
- Maximum mounting height of 16 ft
- Operating temperature range : -30°F - 155°F (-35°C - 70°C)
- Sensors have default settings. but can be configured via remote (SNAPINMWREMOTE, ordered separately).

#### Warranty

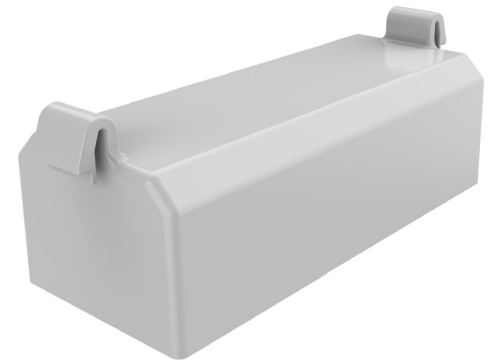
- 5-year limited system warranty standard
- Warranty does not cover product failure due to an overvoltage event (power surge)

Project

Catalog

Type

Date



### Ordering

#### Ordering Information

Example : SNAPINSENSORMW

Series	Description
SNAPINSENSORMW	LSL Microwave Sensor 12V Snap-in

Specifications and dimensions subject to change without notice.

#### Accessories

accessories sold separately

Remote Controller for SNAPINSENSORMW

SNAPINMWREMOTE

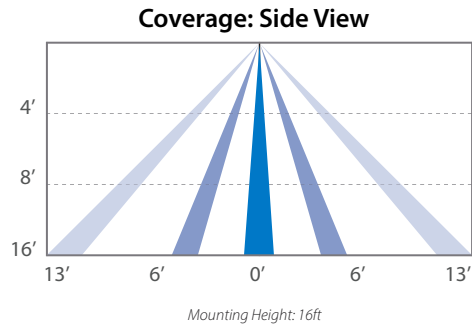
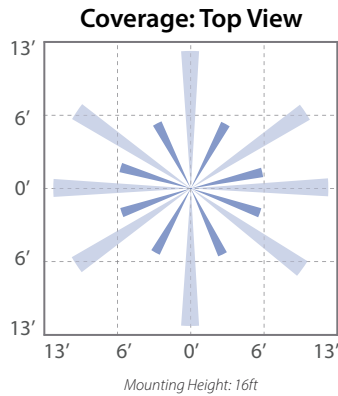
## Performance Data

**SNAPINSENSORMW - Medium Mount**

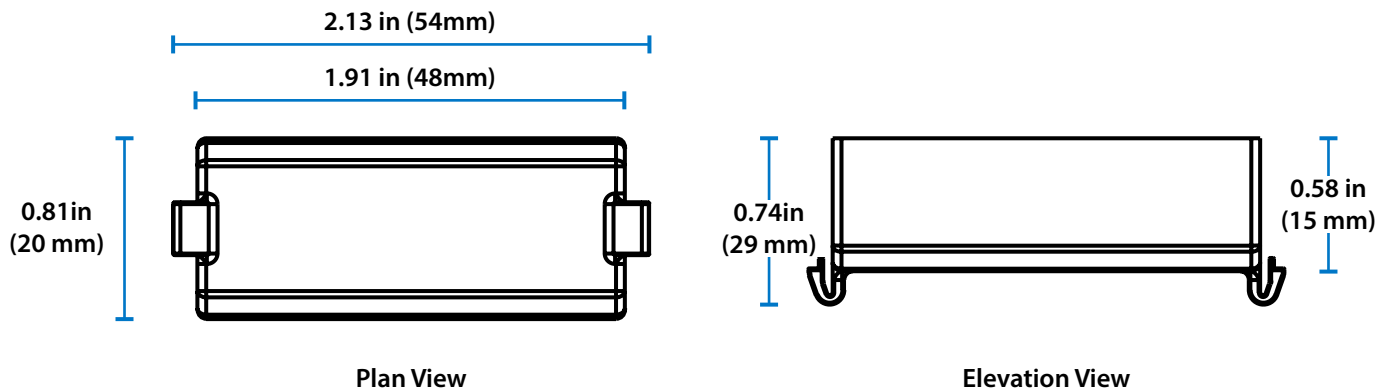
Mounting Height: **12ft to 16ft**

Designed for mounting height between 12ft and 16 ft, with coverage area upto 26ft in diameter when mounted at 16ft.

**Application:** 360° coverage, suitable for open area application.



## Dimension



This device complies with part 15 of the FCC Rules. Operation is subject to the following two conditions: (1) This device may not cause harmful interference, and (2) this device must accept any interference received, including interference that may cause undesired operation.

NOTE: This equipment has been tested and found to comply with the limits for a Class B digital device, pursuant to part 15 of the FCC Rules. These limits are designed to provide reasonable protection against harmful interference in a residential installation. This equipment generates, uses and can radiate radio frequency energy and, if not installed and used in accordance with the instructions, may cause harmful interference to radio communications. However, there is no guarantee that interference will not occur in a particular installation. If this equipment does cause harmful interference to radio or television reception, which can be determined by turning the equipment off and on, the user is encouraged to try to correct the interference by one or more of the following measures:

- Reorient or relocate the receiving antenna.
- Increase the separation between the equipment and receiver.
- Connect the equipment into an outlet on a circuit different from that to which the receiver is connected.
- Consult the dealer or an experienced radio/TV technician for help.